

DESCRIPTION:

AMC MODEL MSR-8DT-07-AKG-STANDARD OPTION: 0120 IS A SINGLE POLE EIGHT THROW, ABSORPTIVE/NON-REFLECTIVE SWITCH MODULE WITH LOW INSERTION LOSS, VERY HIGH ISOLATION AND WITH INTEGRAL TTL DRIVER DESIGNED FOR 0.1 GHz TO 20 GHz OPERATION.

SPECIFICATIONS:

- FREQUENCY:.....0.1 GHz TO 20 GHz
- INSERTION LOSS:.....6 dB MAXIMUM
- ISOLATION:.....110 dB MINIMUM
- VSWR:..... ABSORPTIVE IN/OUT: 2.0:1 MAXIMUM
 ABSORPTIVE OUT/OFF: 2.0:1 MAXIMUM
- SPEED:.....RISE: 500ns MAXIMUM, 300ns TYPICAL
 FALL: 500ns MAXIMUM, 300ns TYPICAL
- RF POWER:.....+30dBm (1 WATT)
- CONTROL:.....TTL LOGIC "0"=ON "1"=OFF
- POWER SUPPLY:.....+5V @ 500 mA MAXIMUM
 -12V @ 100 mA MAXIMUM
- RF PHASE TRACKING:.....0.2 DEGREES PER DEGREE C
 ALL PORTS WITH RESPECT TO COMMON WITH TEMPERATURE
- SIZE:.....Ø1.500 CIRCLE POINT TO POINT X 0.400 (H)
- WEIGHT:.....2.5 OUNCES TYPICAL

OPTIONS:

- 0120.....0.1 TO 20 GHz FREQUENCY RANGE

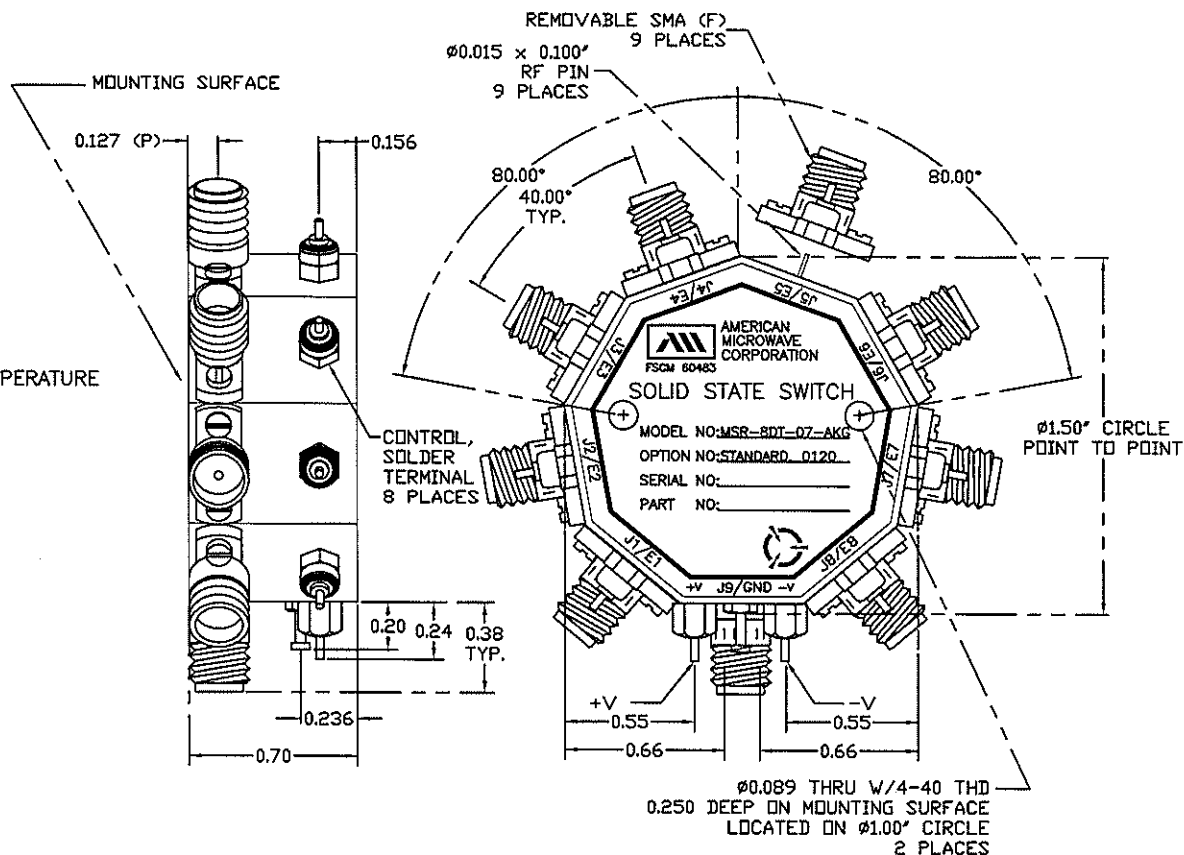
ENVIRONMENTAL RATINGS:

- TEMPERATURE:.....-55°C TO +85°C (OPERATING)
 -65°C TO +125°C (STORAGE)
- HUMIDITY:.....MIL-STD-202F, METHOD 103B COND. B
- SHOCK:.....MIL-STD-202F, METHOD 213B COND. B
- VIBRATION:.....MIL-STD-202F, METHOD 204D COND. B
- ALTITUDE:.....MIL-STD-202F, METHOD 105C COND. B
- TEMPERATURE CYCLE:.....MIL-STD-202F, METHOD 107D COND. A

NOTE: SPECIFICATIONS WILL VARY OVER OPERATING TEMPERATURE
 NOTE: THE ABOVE SPECIFICATIONS ARE SUBJECT TO CHANGE OR REVISION

ALL DIMENSIONS ARE IN INCHES
 TOLERANCES:
 X.XX ±0.020
 X.XXX ±0.010

REVISIONS				
ZONE	REV.	DESCRIPTION	DATE	APPROVED
	-	ORIGINAL JOB# 011246E	01/18/01	
	A	SEE ECR# 06-026	11/17/06	RA
	B	SEE ECR# 07-120	09/18/07	RA



AMERICAN MICROWAVE CORPORATION

7311-G GROVE ROAD
 FREDERICK, MARYLAND 21704 USA
 TEL: 301-662-4700 FAX: 301-662-4938
 WEBSITE: www.americanmicrowavecorp.com
 E-MAIL: sales@americanmicrowavecorp.com
 ISO 9001:2000 CERTIFIED

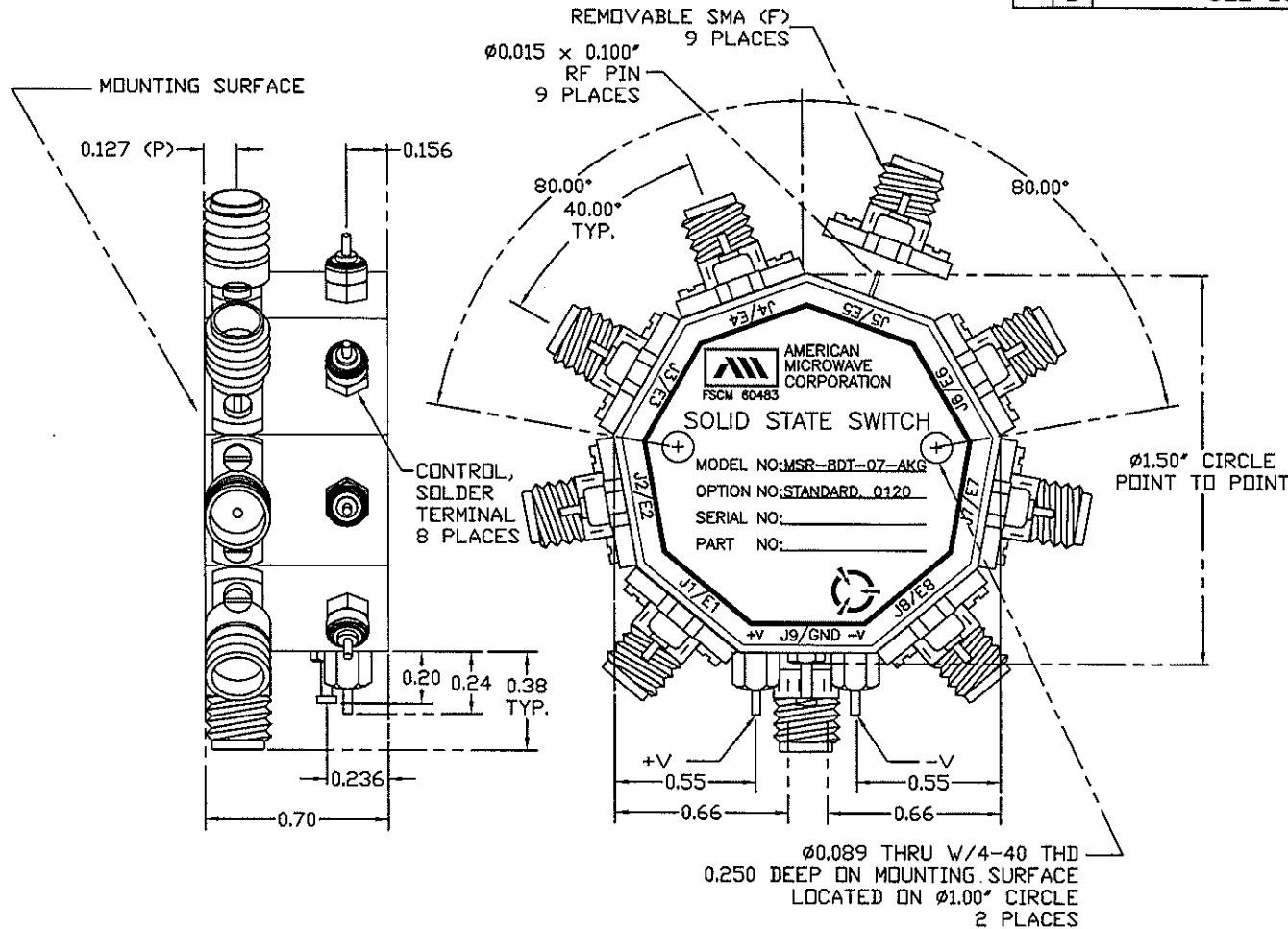


APPROVALS		DATE	TITLE			
DRAWN <i>PRB</i>		11/17/06	PRODUCT FEATURE MSR-8DT-07-AKG-STANDARD OPTION: 0120 0.1 TO 20 GHz SINGLE POLE EIGHT THROW SWITCH			
CHECKED <i>RA</i>		11/21/06	SIZE	FSCM NO.	DWG NO.	REV.
ISSUED			A	60483	100-5910-000	B
			SCALE N:S			SHEET 1 OF 4

DESCRIPTION:

AMC MODEL MSR-8DT-07-AKG-STANDARD OPTION: 0120 IS A SINGLE POLE EIGHT THROW, ABSORPTIVE/NON-REFLECTIVE SWITCH MODULE WITH LOW INSERTION LOSS, VERY HIGH ISOLATION AND WITH INTEGRAL TTL DRIVER DESIGNED FOR 0.1 GHz TO 20 GHz OPERATION.

REVISIONS				
ZONE	REV.	DESCRIPTION	DATE	APPROVED
	--	ORIGINAL JOB# 011246E	01/18/01	
	A	SEE ECR# 06-026	11/17/06	RA
	B	SEE ECR# 07-120	09/18/07	



MECHANICAL OUTLINE

ALL DIMENSIONS ARE IN INCHES
TOLERANCES:
X.XX ±0.020
X.XXX ±0.010

AMERICAN MICROWAVE CORPORATION

7311-G GROVE ROAD
FREDERICK, MARYLAND 21704 USA
TEL: 301-662-4700 FAX: 301-662-4938
WEBSITE: www.americanmicrowavecorp.com
E-MAIL: sales@americanmicrowavecorp.com
ISO 9001:2000 CERTIFIED



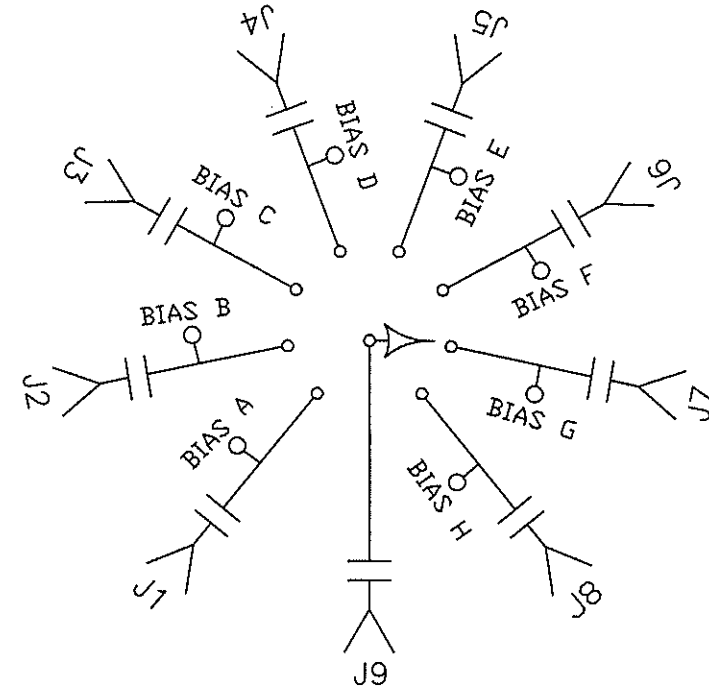
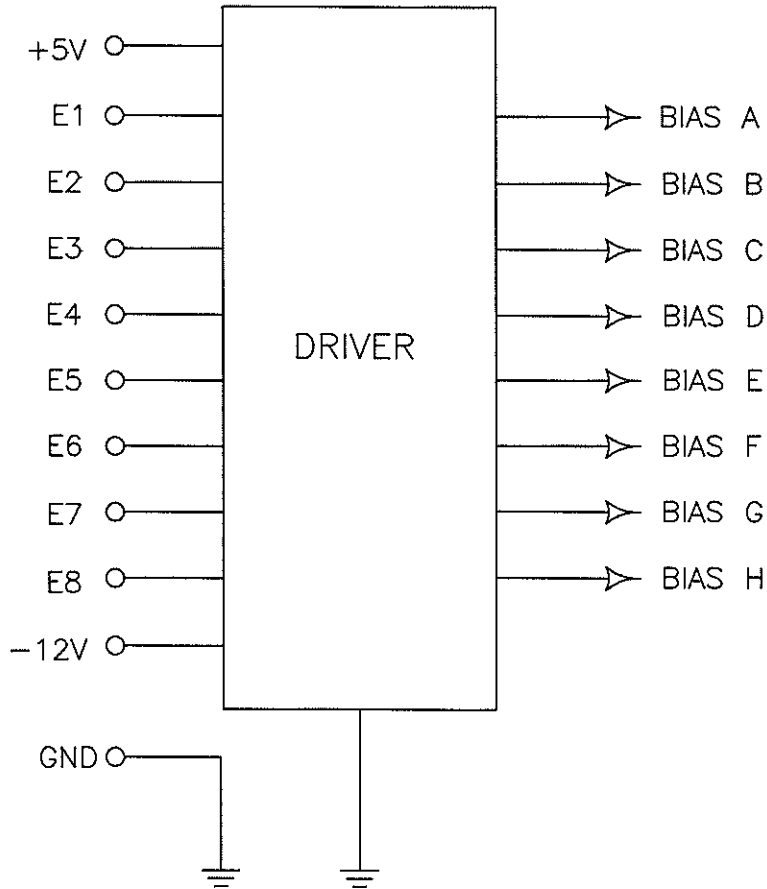
APPROVALS		DATE	TITLE		
DRAWN	PRB	11/17/06	MECHANICAL OUTLINE MSR-8DT-07-AKG-STANDARD OPTION: 0120 0.1 TO 20 GHz SINGLE POLE EIGHT THROW SWITCH		
CHECKED	RA	11/21/06	SIZE	FSCM NO.	DWG NO.
ISSUED			A	60483	100-5910-000
			SCALE	N:S	SHEET 2 OF 4
					REV. B

DESCRIPTION:

AMC MODEL MSR-8DT-07-AKG-STANDARD OPTION: 0120 IS A SINGLE POLE EIGHT THROW, ABSORPTIVE/NON-REFLECTIVE SWITCH MODULE WITH LOW INSERTION LOSS, VERY HIGH ISOLATION AND WITH INTEGRAL TTL DRIVER DESIGNED FOR 0.1 GHz TO 20 GHz OPERATION.

REVISIONS				
ZONE	REV.	DESCRIPTION	DATE	APPROVED
	-	ORIGINAL JOB# 011246E	01/18/01	
	A	SEE ECR# 06-026	11/17/06	RA
	B	SEE ECR# 07-120	09/18/07	

FUNCTIONAL BLOCK DIAGRAM



AMERICAN MICROWAVE CORPORATION

7311-G GROVE ROAD
 FREDERICK, MARYLAND 21704 USA
 TEL: 301-662-4700 FAX: 301-662-4938
 WEBSITE: www.americanmicrowavecorp.com
 E-MAIL: sales@americanmicrowavecorp.com
 ISO 9001:2000 CERTIFIED



CONFIDENTIAL AND PROPRIETARY

APPROVALS		DATE	TITLE			
DRAWN	PRB	11/17/06	FUNCTIONAL BLOCK DIAGRAM			
CHECKED	RA	11/21/06	MSR-8DT-07-AKG-STANDARD			
ISSUED			OPTION: 0120			
			0.1 TO 20 GHz SINGLE POLE EIGHT THROW SWITCH			
			SIZE	FSCM NO.	DWG NO.	REV.
			A	60483	100-5910-000	B
			SCALE	N:S	SHEET	3 OF 4